

Canopy Kit Installation Instructions

**Electric and
Gasoline Vehicles
with the following
Serial Number
Prefix:**

- JY, JZ

Publication
103411301

Edition Code
1207F0711E

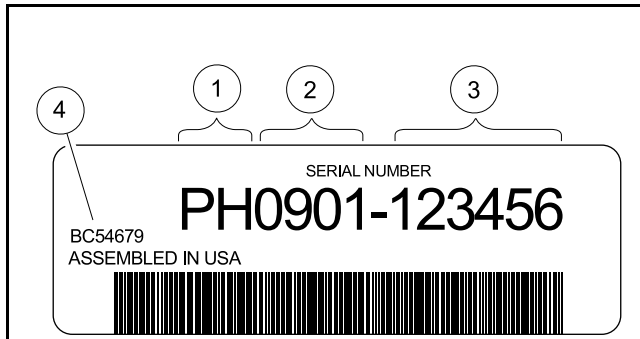
These instructions apply to the following kits:

103410401 103410501 103410601
103410701

GENERAL INFORMATION AND PRECAUTIONS

Verify that this kit is intended for your vehicle: make sure your vehicle's serial number prefix (1) appears on the front cover of this publication (**Figure 1**).

The serial number of each vehicle is printed on a bar code decal mounted either below the passenger side cup holder or above the accelerator or brake pedal (Example: PH0901-583947) The two letters (1) at the beginning of the serial number indicate the vehicle model. The following four digits (2) indicate the model year and production week during which the vehicle was built. The six digits (3) following the hyphen represent the unique sequential number assigned to each vehicle built within a given model year.



1400.eps

Figure 1 Serial Number Decal

Thoroughly review this document before any installation procedures are performed.

The following safety statements relate to specific safety issues and must be read, understood, and heeded before a kit is installed. Failure to do so could result in personal injury and/or property damage.

⚠ DANGER

- **Battery – Explosive gases! Do not smoke. Keep sparks and flames away from the vehicle and service area. Ventilate when charging or operating vehicle in an enclosed space. Wear a full face shield and rubber gloves when working on or near batteries.**
- **Battery – Poison! Contains acid! Causes severe burns. Avoid contact with skin, eyes, or clothing. Antidotes:**
 - **External: Flush with water. Call a physician immediately.**
 - **Internal: Drink large quantities of milk or water. Follow with milk of magnesia or vegetable oil. Call a physician immediately.**
 - **Eyes: Flush with water for 15 minutes. Call a physician immediately.**
- **Gasoline – Flammable! Explosive! Do not smoke. Keep sparks and flames away from the vehicle and service area. Service only in a well-ventilated area.**
- **Do not operate gasoline vehicle in an enclosed area without proper ventilation. The engine produces carbon monoxide, which is an odorless, deadly poison.**

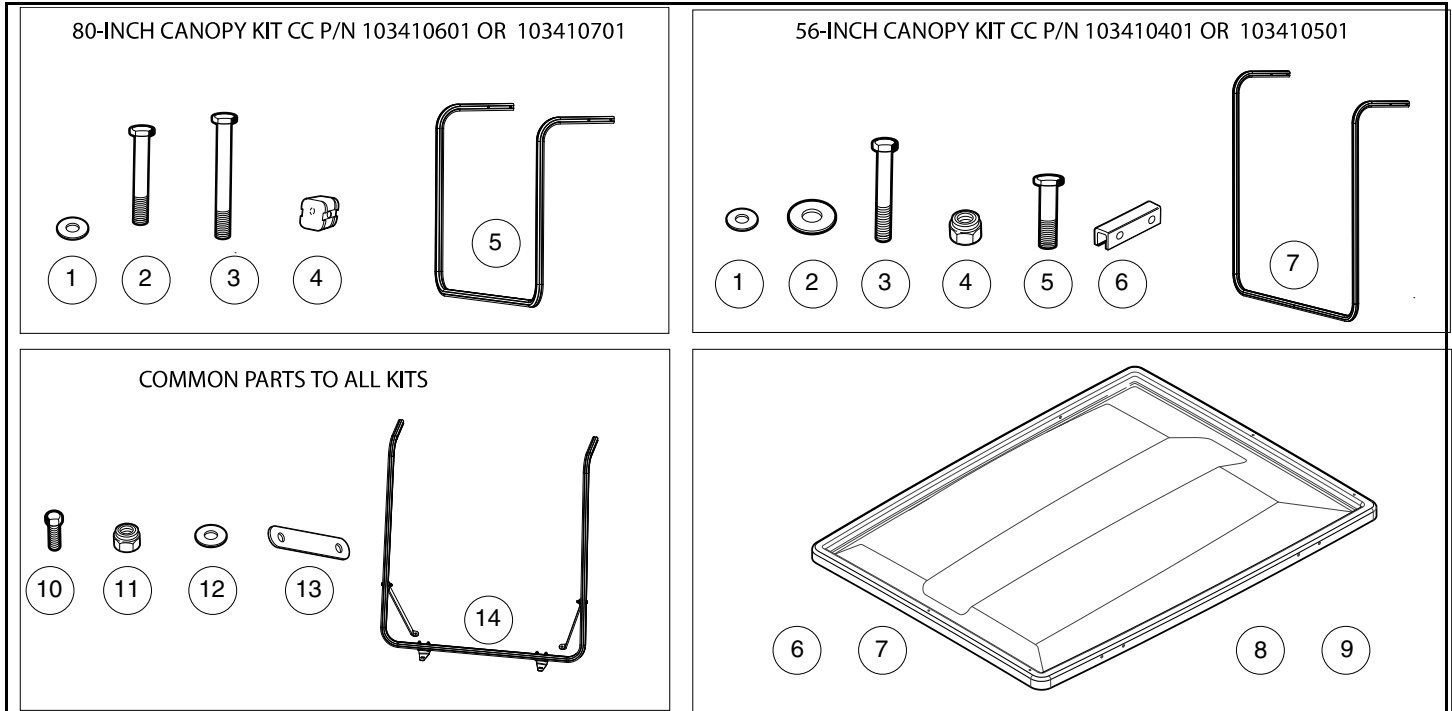
⚠ WARNING

- Follow the procedures exactly as stated in this instruction, and heed all DANGER, WARNING, and CAUTION statements in this instruction as well as those on the vehicle.
- Only trained technicians should service or repair the vehicle. Anyone doing even simple repairs or service should have knowledge and experience in electrical and mechanical repair. The appropriate instructions must be used when performing maintenance, service, or accessory installation.
- Prior to servicing the vehicle or leaving the vehicle unattended, turn the key switch OFF, remove the key, place the Forward/Reverse handle in the NEUTRAL position, engage the park brake, and chock the wheels.
- Wear safety glasses or approved eye protection when servicing the vehicle.
- Do not wear loose clothing or jewelry such as rings, watches, chains, etc., when servicing the vehicle.

TOOLS REQUIRED

1	1-150-IN-LB Torque Wrench	10	9/16-IN Combination Wrench
2	3/8-IN Drive Ratchet	11	Framing Square
3	10MM Socket	12	Measuring Tape
4	7/16-IN Socket	13	T-30 Torx Drive Bit
5	1/2-IN Socket	14	1/8-in and 5/16-in Drill Bits
6	7/16-IN Combination Wrench	15	4-I Extension
7	1/2-IN Combination Wrench	16	1/2-in Drill Bit
8	Phillips Screwdriver	17	Cordless Drill
9	10-200 FT-LB Torque Wrench		

PARTS IN THIS KIT

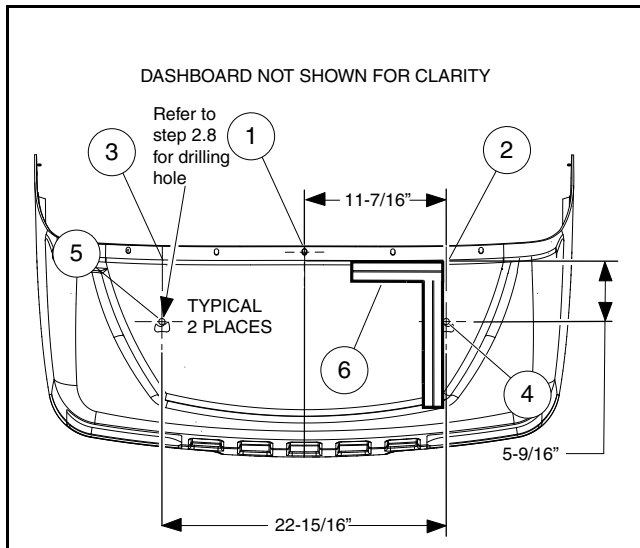


Item	CC P/N	80-INCH CANOPY KIT CC P/N 103410601 OR 103410701	Qty	Item	CC P/N	56-INCH CANOPY KIT CC P/N 103410401 OR 103410501	Qty
1	332	1/4-in Flat Washer	24	1	332	1/4-in Flat Washer	20
2	343	1/4-20 x 3- Hex Head Bolt	8	2	1241	5/16-in Flat Washer	6
3	101387201	1/4-20 x 4 Hex Head Bolt	2	3	7311	1/4-20 x 2 Hex Head Bolt	8
4	101388401	Molded Spacer	10	4	7473	5/16-18 Nylon Locknut	3
5	103410901	Rear Canopy Long Brace	1	5	8963	5/16-18 x 1-3/4 Hex Head Bolt	3
6	103410801	80-in White Canopy	1	6	1012008	Side Canopy Support	2
7	103410803	80-in Black Canopy	1	7	103411001	Rear Canopy Short Brace	1
				8	103804004	56-in Black Canopy	1
				9	103804003	56-in White Canopy	1
COMMON PARTS TO ALL KITS							
10	304	1/4-20 x 1 Hex Head Bolt	2	13	1011862	Canopy Trim Plate	8
11	8233	1/4-20 Nylon Locknut	12	14	103795503	Windshield Frame Black	1
12	1010517	1/4-in Nylon Washer	2				

1. DISABLE THE VEHICLE

- 1.1. Turn the key switch OFF, remove the key, place the Forward/Reverse handle in the NEUTRAL position, engage the park brake, and chock the wheels.

2. DRILL HOLES FOR FRONT CANOPY SUPPORT



K-01293.eps

Figure 2 Measure, Mark, and Drill Holes for Front Canopy Support (XRT 850)

- 2.1. Locate the center bolt (1) that secures the dash trim strip to the front body (**Figure 2**).
- 2.2. Measure 11-7/16-inches from the center of the center bolt (1) to the driver side of the front body and make a mark (2) on the dash trim strip of the front body.
- 2.3. Position a framing square (6) against the lip of the dash trim strip on the front body at the mark (2) and measure 5-9/16-inches towards the front of the front body and make a mark (4).
- 2.4. Locate the center bolt (1) that secures the dash trim strip to the front body.
- 2.5. Measure 11-7/16-inches from the center of the center bolt (1) to the passenger side of the front body and make a mark (3) on the dash trim strip of the front body.
- 2.6. Position a framing square (6) against the dash trim strip on the front body at the mark (3) and measure 5-9/16-inches towards the front of the front body and make a mark (5).
- 2.7. Verify the distance between the two marks on the front body (4 and 5) is 22-15/16-inches (+ – 1/16).
- 2.8. Drill a 1/8-inch pilot hole at the marks (4 and 5) to locate the bracket beneath the front body. Make adjustments if necessary and enlarge the hole with 1/2-inch drill bit. **See following CAUTION.**

CAUTION

- Inspect all sides of the drilling surface to ensure no vehicle components will be damaged during drilling.
- Do not drill into the bracket (20) beneath the cowl as damage to the nut insert may occur (Figure 4).

3. SECURE WINDSHIELD FRAME TO VEHICLE

- 3.1. With the aid of an assistant, lift and position the windshield frame (3) to the vehicle (**Figure 3**).
- 3.2. Position one nylon washer (9) between each windshield frame mounting bracket and the front body, and secure with two 1/4-20 x 1-inch hex head bolts (10) and two 1/4-inch flat washers (11). Tighten the hardware to 45 in-lb (5.1 N·m).
- 3.3. At the dash trim strip (46), locate and remove the two plastic caps (27), torx head screws (28), and plastic scalloped washers (29) and retain. Secure the left and right knee braces (1 and 2) to the dash trim strip with the two plastic scalloped washers (29), torx head screws (28). Tighten the hardware to 45 in-lb (5.1 N·m) and snap the plastic caps (27) onto the screws.

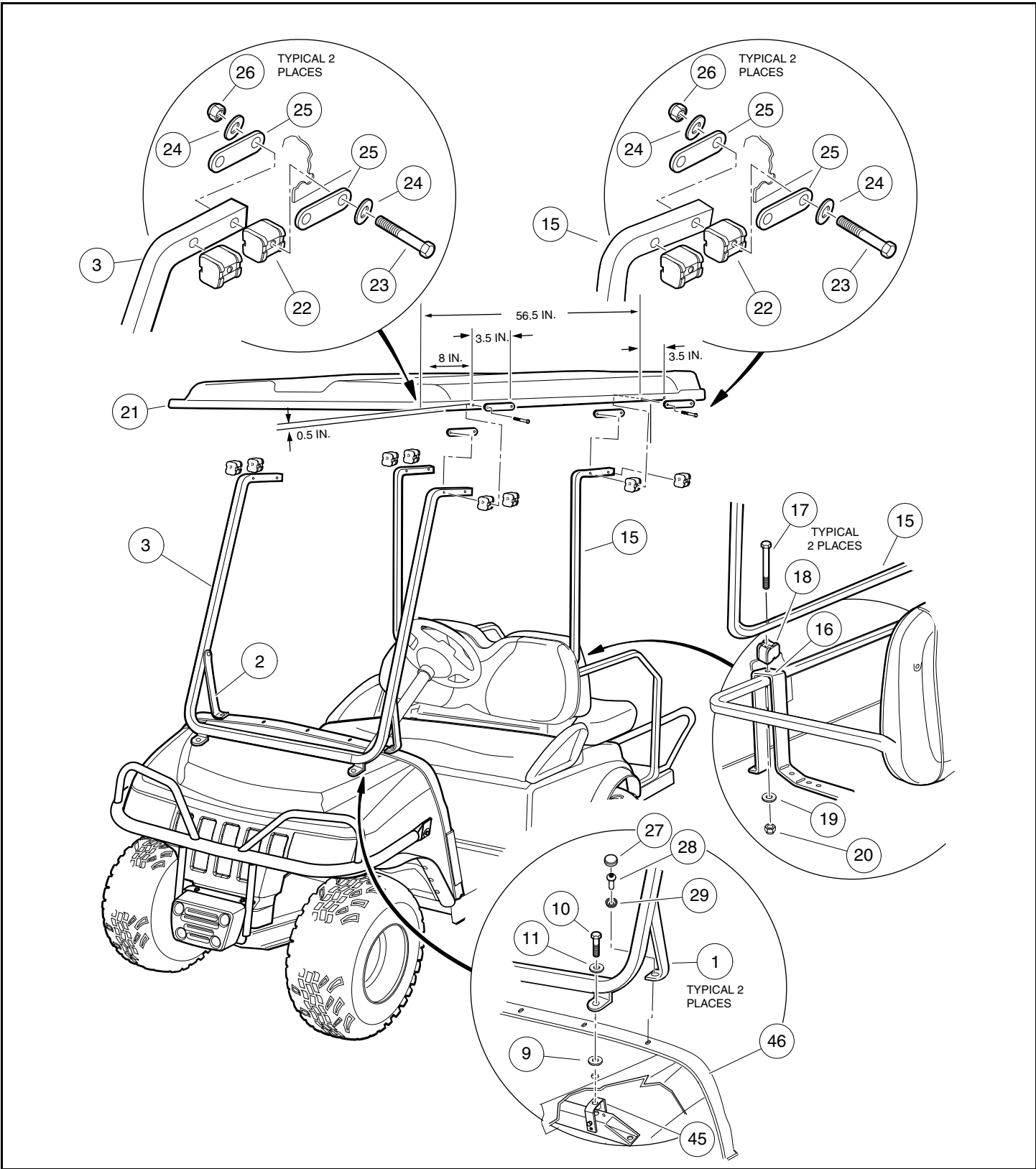
4. SECURE CANOPY (REAR FOLD-DOWN SEAT VEHICLES)

Step 4 is for XRT 850 vehicles equipped with a rear fold-down seat.

For XRT 850 vehicles equipped with a box bed proceed to step 5.

NOTE: Before installing the 80-inch canopy, the mounting holes must be drilled on both sides of the canopy. After the front holes are measured and drilled, the canopy is installed to the windshield frame. Then the rear canopy mounting holes are matched drilled using the rear struts as a guide.

- 4.1. Position the rear canopy support (15) to the top of the seat back support bracket (16), and secure with two 1/4-20 x 4-inch hex-head cap screws (17), molded spacers (18), 1/4-inch flat washers (19), and 1/4-20 nylon locknuts (20) (**Figure 3**). Tighten the hardware to 45 in-lb (5.1 N·m).
- 4.2. From the front edge of the canopy, measure 8-inches along the side of the canopy, and 1/2-inch up from the bottom edge and make a mark. Then place one canopy trim plate over the mark and mark the remaining hole, which is 3-1/2- inches from the front hole. Drill 5/16-inch holes on the marks. Repeat on opposite side of canopy.
- 4.3. Lift and position the canopy (21) so it rests on top of the windshield frame (3) and the rear support (15).
- 4.4. Secure the front of the canopy (21) to each strut of the windshield frame with two molded spacers (22), two 1/4-20 x 3-inch hex head cap screws (23), four 1/4-inch flat washers (24), two trim plates (25), and two 1/4 nylon locknuts (26). Tighten the hardware to 45 in-lb (5.1 N·m).
- 4.5. Clamp the rear struts to the rear of the canopy, making sure the canopy is square and the mounting holes are centered along the edge of the canopy. Use the dimensions shown to mark the mounting holes and drill two 5/16-inch holes per side of the canopy.
- 4.6. Secure the rear of the canopy (21) to each rear strut with two molded spacers (22), two 1/4-20 x 3-inch hex head cap screws (23), four 1/4-inch flat washers (24), two trim plates (25), and two 1/4 nylon locknuts (26). Remove the clamps and tighten the hardware to 45 in-lb (5.1 N·m).

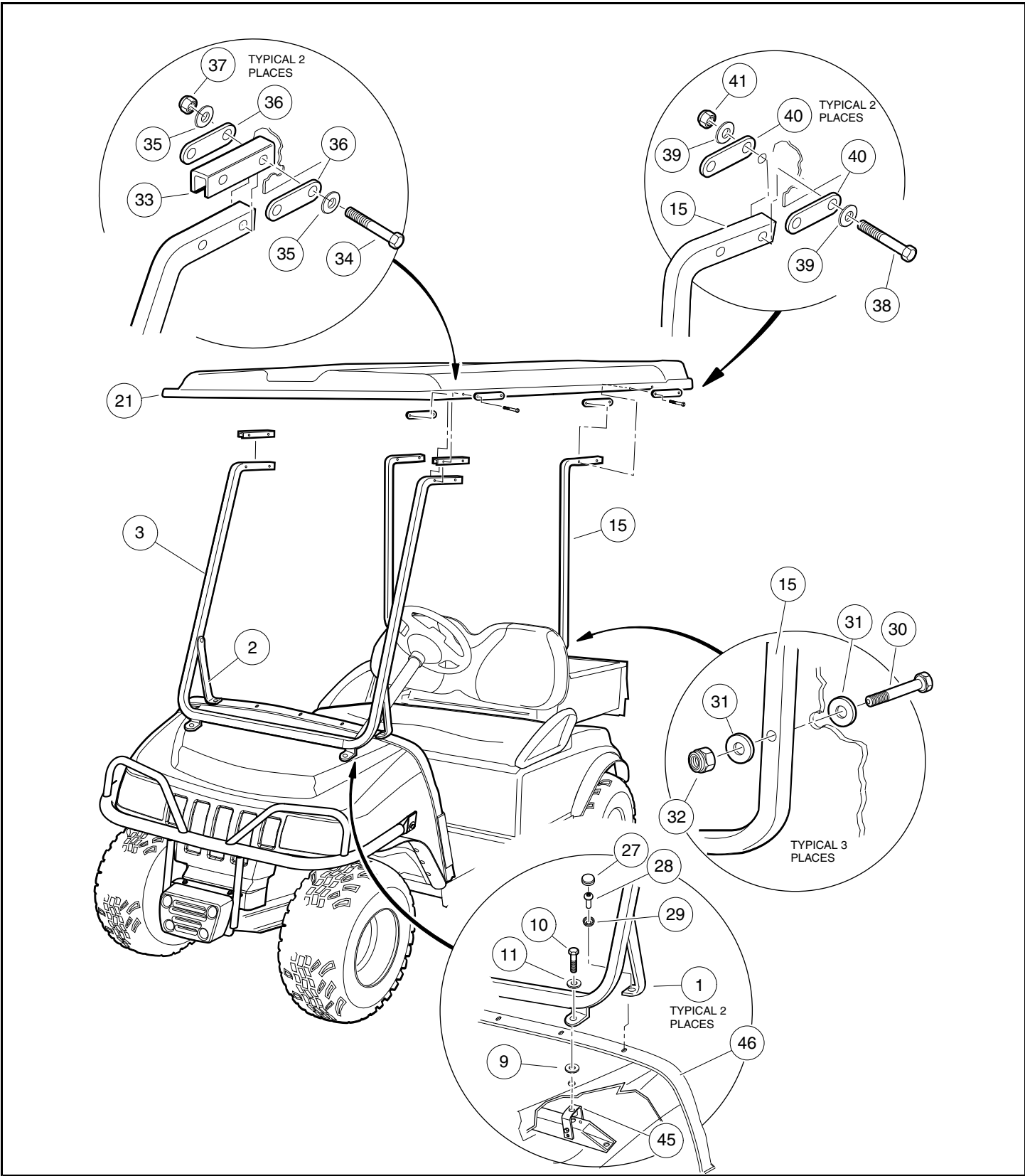


K-01034.eps

Figure 3 Secure Canopy with Rear Fold Seat

5. SECURE CANOPY (BOX BED VEHICLES)

- 5.1. Position the rear canopy support (15) behind the seat back and to the front panel of the bed box and secure with three 5/16-18 x 1-3/4-inch hex head bolts (30), six 5/16 flat washers (31), and three 5/16-18 nylon locknuts (32) (**Figure 4**). Tighten the hardware to 45 in-lb (5.1 N·m).
- 5.2. Lift and position the canopy (21) so it rests on top of the windshield frame and rear supports.
- 5.3. Lift each front corner of the canopy and place one side canopy support (33) on top of the strut. Align the holes and secure the front of the canopy with four 1/4-20 x 3-inch hex head cap screws (34), eight 1/4-inch flat washers (35), four trim plates (36), and four 1/4 nylon locknuts (37). Tighten the hardware to 45 in-lb (5.1 N·m).
- 5.4. Secure the rear of the canopy to the rear support (15) with four 1/4-20 x 3-inch hex head cap screws (38), eight 1/4-inch flat washers (39), four trim plates (40), and four 1/4 nylon locknuts (41). Tighten the hardware to 45 in-lb (5.1 N·m).



K-01035.eps

Figure 4 Secure Canopy with Box Bed

QUESTIONS

Questions or comments regarding these kit instructions should be referred to your local dealer or distributor. Please know your vehicle model and have these kit instructions available when you call.

